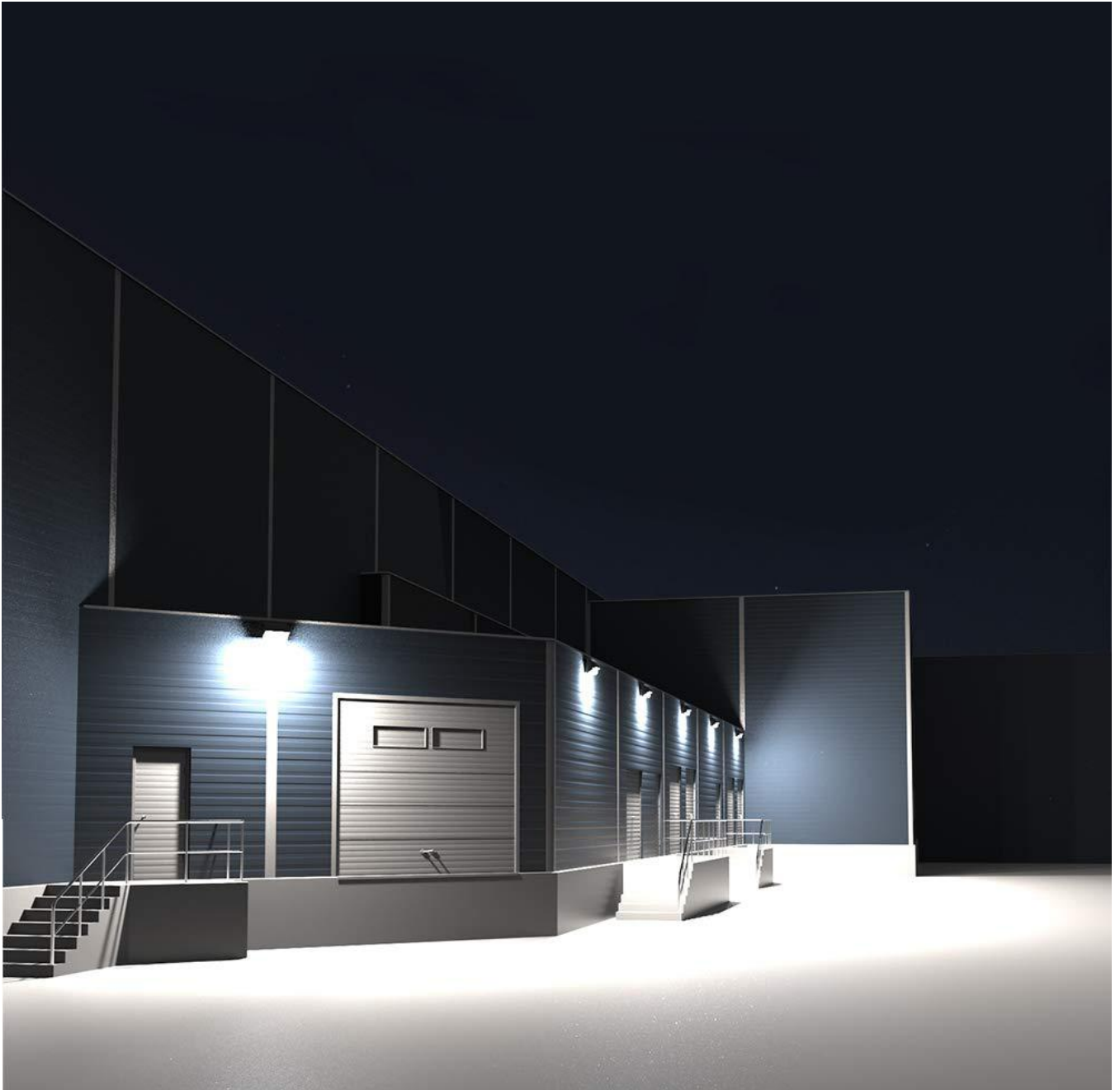


LED Wall Pack Light

Outdoor Area Lighting | Security Lighting





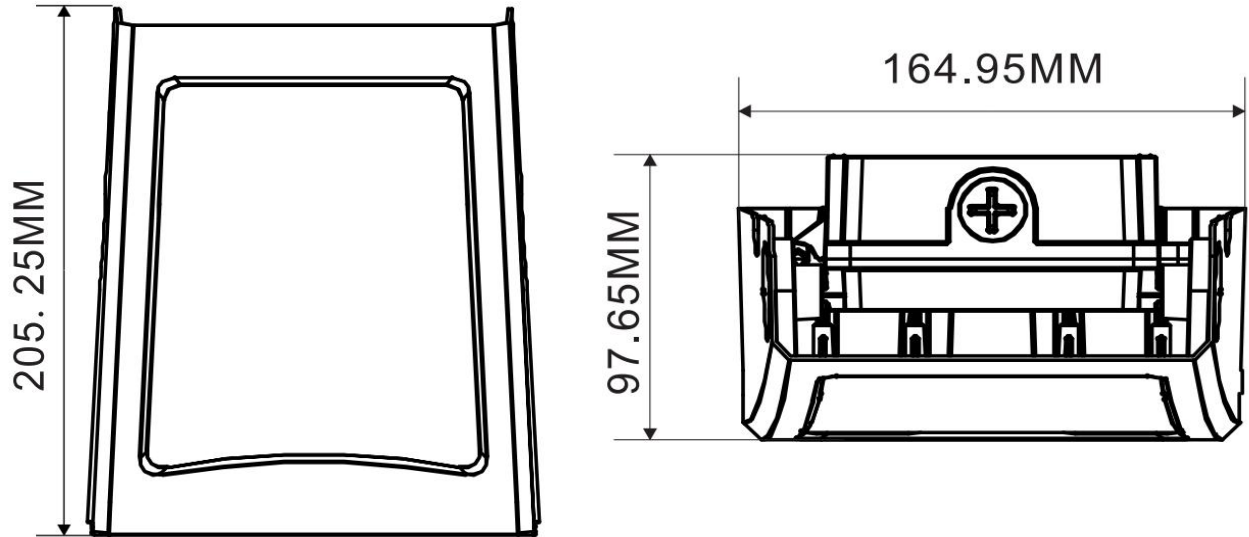
This WPD2 Series Rotatable Full Cut-off LED Wall Pack Light have upgraded for security lighting, it's widely used at pathway, hallway, perimeter, patio, entrance, stairway, house, garden, garage, yard, warehouse, factory, store, street, porch. With premium driver and Dust-to-Dawn photocell, this product lasts for 100000 hours and save up 80% on energy and operating costs. Inside with quality Lumileds LED as light sources, it's ideal solution to replace conventional fixtures.

- Dusk-to-Dawn photocell available - Auto turn on at dusk and off at dawn
 - Unique private slim shape design - Uniform lighting distribution via PC lens
 - Easy and fast installation - Direct mounting on wall or with J-Box
 - High efficiency output - light efficiency is up to 120LPW
 - Waterproof IP65 rating - suitable for all kinds of weather
 - Good energy saving - save 80% electricity cost compared to traditional lamp
 - 5 Years Warranty for whole fixture and power supply
-

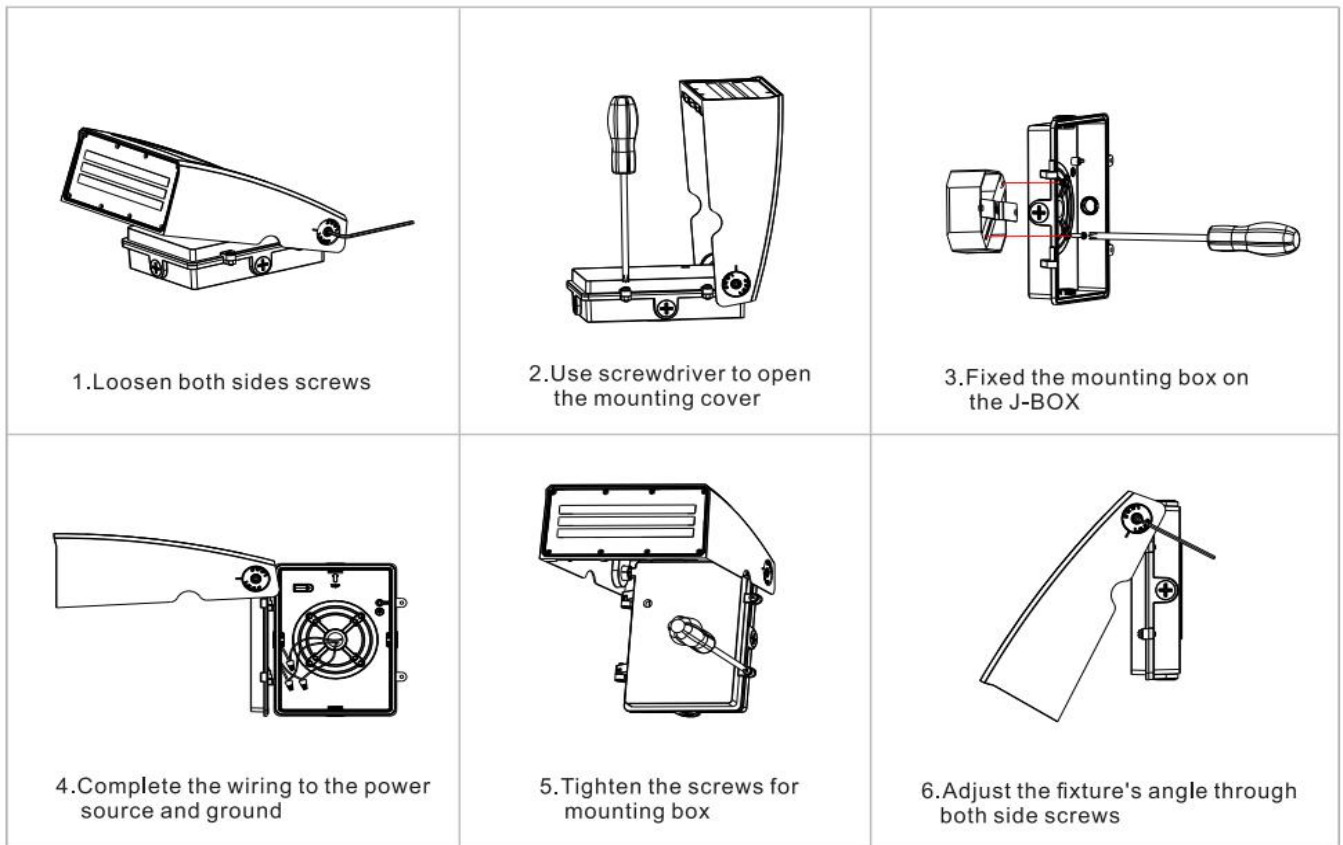
General Specifications

Item No.	ML-WPD2-30W
System Power(±5%)	30W
Electrical Data	
Input Voltage	100-277 VAC
LED Driver	MINGLIGHT Driver
Power Frequency	50/60Hz
Power Factor	>0.9
THD	<20%
Optical Data	
System Efficacy	120(±5%) Lm/W tested based on 5000K Ra70
Luminous Flux (±5%)	3600LM
LED Chip	Lumileds SMD3030
Beam Angle	80°
Light Color	3000K / 4000K / 5000K / 5700K
CRI	>70 Ra
UGR	<19
Temperature Data	
IP Rate	IP65 wet/outdoor
Operating Temp	-40° ~ 131° F (-40° ~ 55° C)
Ambient Temp	-4° ~ 104° F (-20° ~ 40° C)
Storage Temp	-40° ~ 158° F (-40° ~ 70° C) R.H.≤85%
Lifespan	≥50000Hrs (Ta=30°C@L70) Operating
Fixture Material	Die casting Aluminium body
Safety Certification	ETL, DLC
Warranty	5 Years
Dimension & Packing Data	
Product size (LxWxH)	205 x 165 x 98mm (8,07" x 6,50" x 3,86")
Net Weight	10.5 KGS (23.15 LBS)
Gross Weight	11.1 KGS (24.47 LBS)
Carton size (LxWxH)	42*39.5*26cm (16,54*15,55*10,24 inch)
Qty/Carton	6 PCS
Loading Qty/20' GP	500 CTNS / 2000 PCS
Loading Qty/40' GP	1000 CTNS / 4000 PCS
Loading Qty/40' HQ	1300 CTNS / 5200 PCS
L.E.D. vs HPS / MH Equivalence	
LED	30W
HPS / MH	150W

Dimensions



Installation Diagram



Technical Specifications

#Certificate

RoHS approved

This product is tested by independent lab. with all green material.

CE / ETL / DLC approved

This product have passed CE & ETL testing and is fully DLC approved.

IESNA LM-79 and LM-80 Testing

Minglight fixture have been tested by independent lab. in accordance with IESNA LM-79 and LM-80 Testing

Color Stability:

LED color temperature is warranted to shift no more than 200K in CCT over a 50000 hours.

Color Uniformity:

Minglight's range of CCT follows the guidelines of the American National standard for specification for the chromaticity of Solid State Lighting (SSL) Products, ANSI C78.377-2017

#Installation

IES Classification:

80° beam angles, the lighting output produces a oval shape distribution to cover the area.

Mounting:

This product is direct mounting on wall mounting or with J-box
The application including Warehouse, patio, entrance, stairway, house, Garage, outdoor facilities.

#LED Characteristics

Lifespan

100000 hours LED lifespan based on IES LM-80 results and TM-21 Calculation.

Color Consistency

7-step MacAdam Ellipse binning to achieve consistent one by one color.

#Smart Engine

Dimming Driver

1-10V Dimming optional

Smart Sensor

Photocell optional


#IP Rating

Ingress Protection rating of IP65 IP65 for dust and water

Greenity:

Mercury or UV free. RoHS compliant components. Package boxes are made with recyclable material.

#Smart solution options

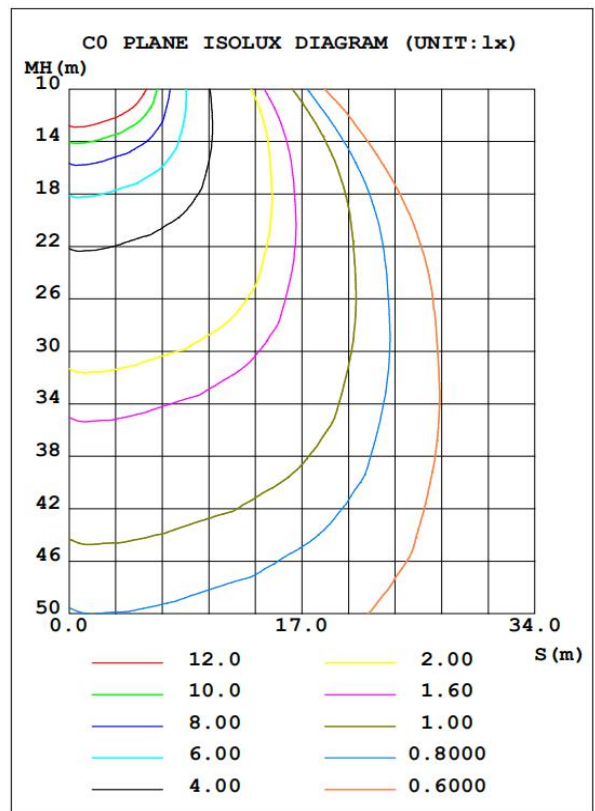
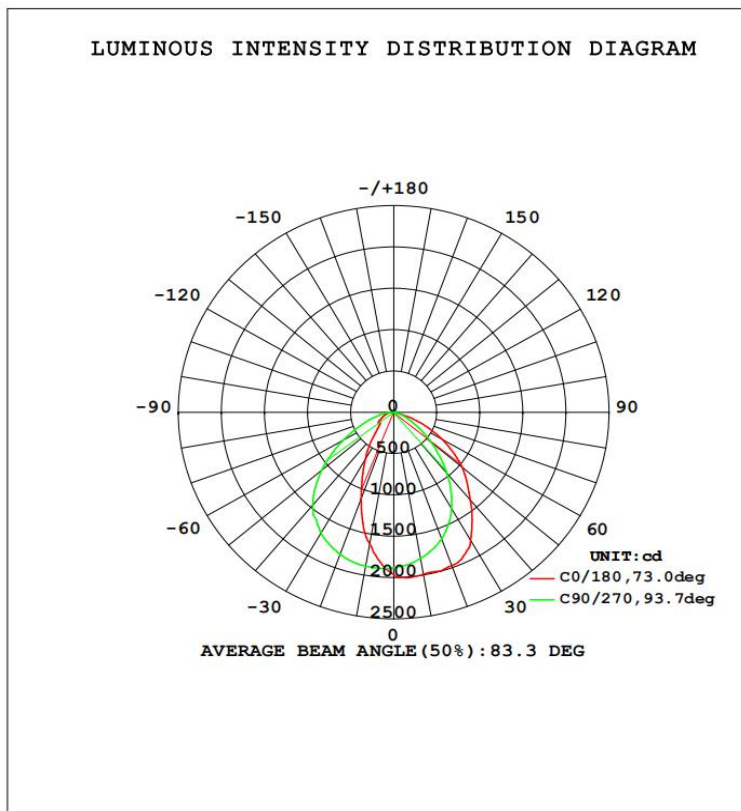
Description	Pictures	Function
Photocell		Auto turn on at dusk/night and off at dawn/daytime

#Trouble Shooting

Problem	Possible Cause	Solutions
LEDs stop working	The power line is improperly connected.	Reconnect the power cable.
	The power plug is loose.	Firmly plug the power in.
	The LED driver malfunctions.	Replace with new driver.
	The LED chip is damaged.	Replace with new LEDs.
LEDs flash on and off	The output of the driver is abnormal.	Replace with new driver.
	The LED chip breaks down.	Replace with new LED chip.

Photometrics

DATA OF LAMP		PHOTOMETRIC DATA			
MODEL	WPD2-30W	Imax (cd)	2009	S/MH (C0/180)	0.69
NOMINAL POWER (W)	30	LOR (%)	100.0	S/MH (C90/270)	1.32
RATED VOLTAGE (V)	220	TOTAL FLUX (lm)	3856.3	η UP, DN (C0-180)	0.4, 47.8
NOMINAL FLUX (lm)	3856.35	CIE CLASS	DIRECT	η UP, DN (C180-360)	0.4, 51.4
LAMPS INSIDE	1	η up (%)	0.8	CIBSE SHR NOM	1.00
TEST VOLTAGE (V)	220	η down (%)	99.2	CIBSE SHR MAX	1.15



Suggested mounting height for best illumination effect: 6 to 13 feet (2 - 4 meters)

Wall Pack is widely used in pathway, hallway, perimeter, patio, entrance, stairway, house, garden, garage, yard, warehouse, factory, store, street, porch

Project Cases of MINGLIGHT

